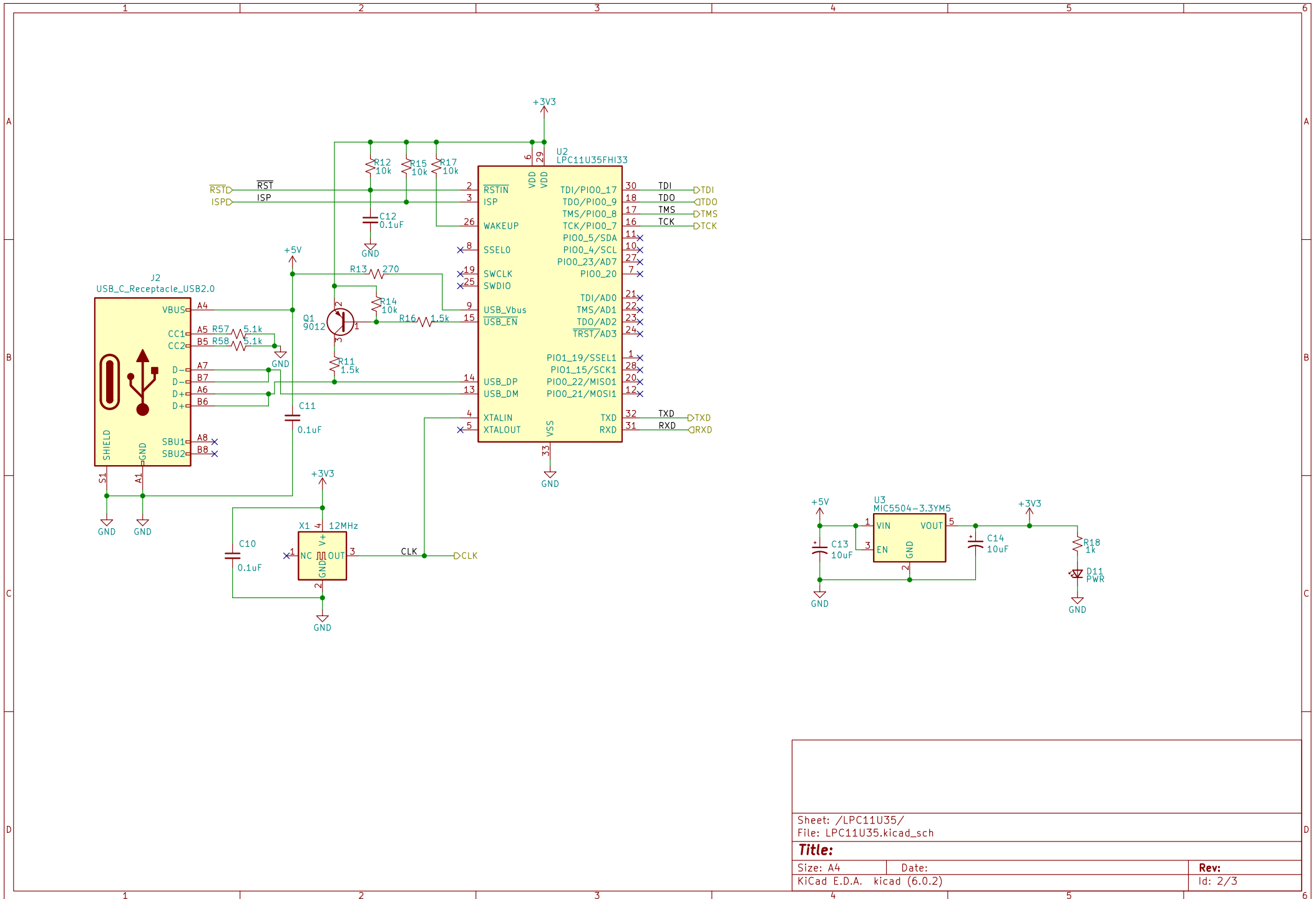
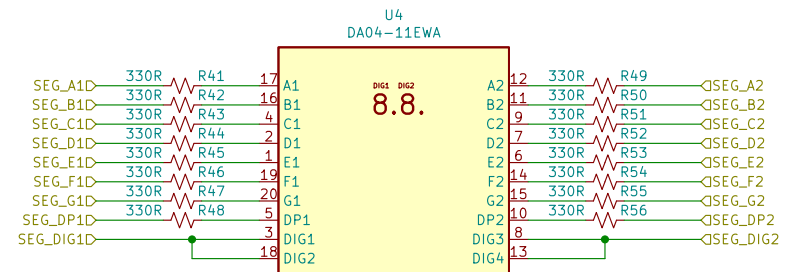
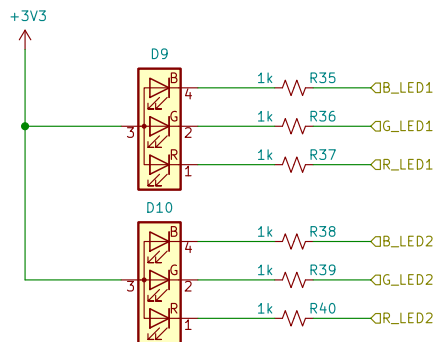
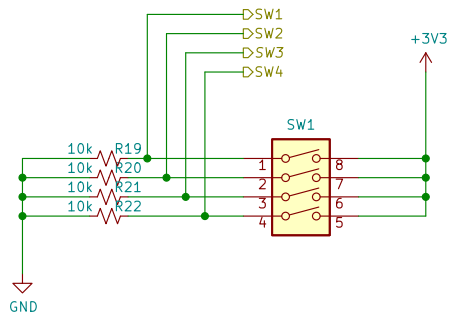
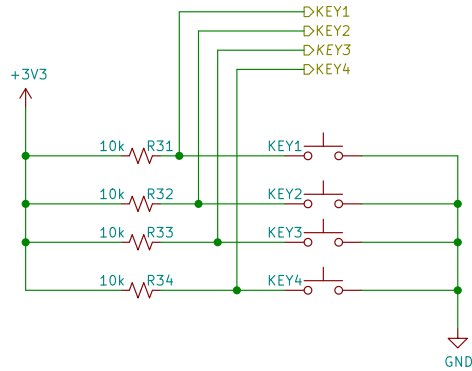
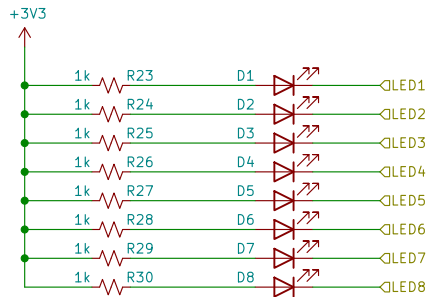


Sheet: /		File: STEP-MX02-LPC.kicad_sch		LCMX02-4000HC-132MG	
Title:					
Size: A4		Date:		Rev:	
KiCad E.D.A. kicad (6.0.2)				Id: 1/3	



Sheet: /LPC11U35/	
File: LPC11U35.kicad_sch	
Title:	
Size: A4	Date:
KiCad E.D.A. kicad (6.0.2)	Rev:
	Id: 2/3



Sheet: /Perioheral/
 File: Peripheral.kicad_sch

Title:

Size: A4
 KiCad E.D.A. kicad (6.0.2)

Date:

Rev:

Id: 3/3